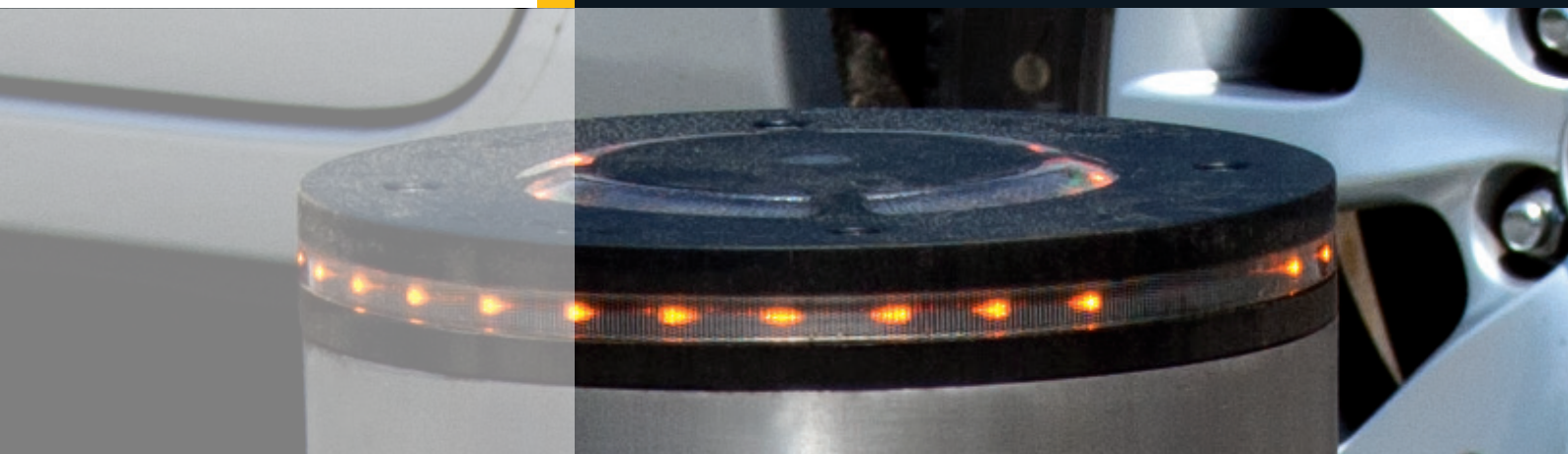


SYSTEMATIC QUALITY



Retractable BOLLARD



GIFAS
ELECTRIC

GIFAS bringt den automatisch versenkbaren Poller für die kontrollierte Zufahrt im öffentlichen und privaten Bereich auf den Markt!

The retractable bollard can be used to prevent driving or parking in certain areas such as walking or biking paths, pedestrian zones, private property or parking spots, etc., while allowing for free access for pedestrians.

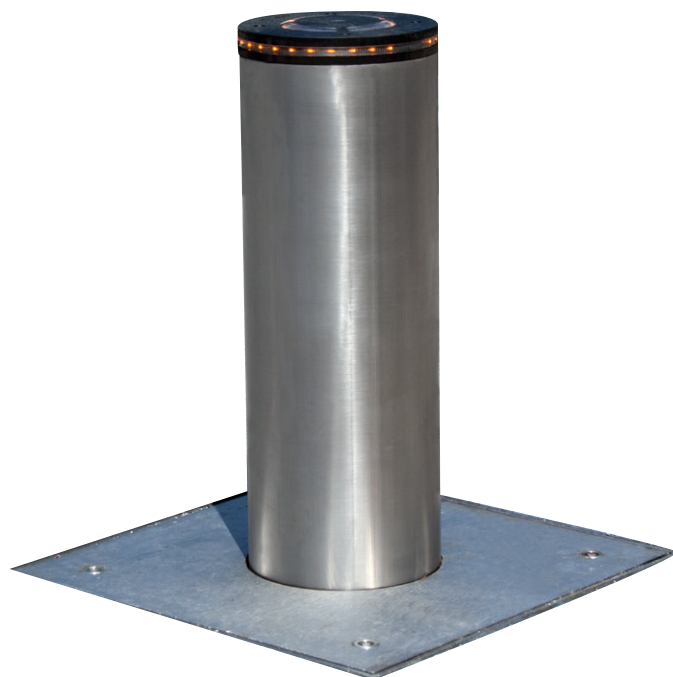
GIFAS Retractable Bollard

Description

The retractable bollard systems are impressive thanks to their well-designed appearance as well as simple handling and maintenance. When they are fully extended, they reliably hold back through traffic as well as parking traffic, while allowing unhindered access to pedestrians, bicycles and wheelchairs.

Construction

A complete installation / system basically consists of the applicable bollard unit (with electromechanical drive), electrical control system and cable connection between them. The installation is reliable, user-friendly and low-maintenance. The electrical control system is built into a separate housing and only requires connection to the 230V network in its basic configuration. Communication with the bollard is provided through the connecting cable.



Technical data

Surface	special steel, stainless, brushed
Drive	Electromechanical (Gear motor with spindle)
Velocity	ca. 10cm / sec.
Operating voltage	24VDC
Protection rating	IP65
Load class	C250
Weight	Total weight: 250 kg (incl. concrete pipe, excl. control system)
	Retractable bollard: 36kg
Bollard unit	Ø 206 mm
Stroke	600 mm

Function of Spindle Lifting Drive

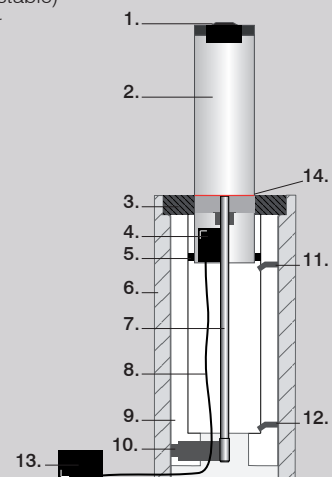
- The gear motor mounted on the base plate drives a vertically supported spindle
- As the spindle rotates, the bollard is lifted by the spindle nut
- Function in the event of a power outage: with a load of approx. 50 kg, the self-locking mechanism of the spindle can be overcome (lowering without tools or Accu).

Cylinder Construction

- Two-part cylinder liner, upper and lower part (Wall thickness: 3mm)
- Cover with built-in LED operating light and security monitoring
- Predetermined breaking point
- Appropriate sliding points (adjustable) are installed in the lower part for accurate guidance

Bollard Unit Construction

- 1 LED warning light
- 2 Retractable bollard
- 3 Stainless steel cover
- 4 Junction box
- 5 Sliding guides
- 6 Concrete pipe (Ø 400mm)
- 7 Spindle
- 8 Connecting cable
- 9 Guide cage
- 10 Motor
- 11 Position switch "TOP"
- 12 Position switch "BOTTOM"
- 13 Main control system
- 14 Predetermined breaking point



Safety Components

Collision Protection – Close Range

A field is effective for collision protection within a close range of 20 - 40 cm. The smallest, slowest movements can be detected within this range. Static objects (e.g. a car parked over a bollard) are thus detected.

Collision Protection – Long Range

A field is effective for detecting movement up to approx. 2 m. Fast movements are detected within this range. Approaching objects (e.g. cars, pedestrians) are thus detected. The size of the protection field can be set on the control system.

Security Lighting

In order to increase visibility, the bollard is equipped with an orange LED light (CircLED) as standard design.

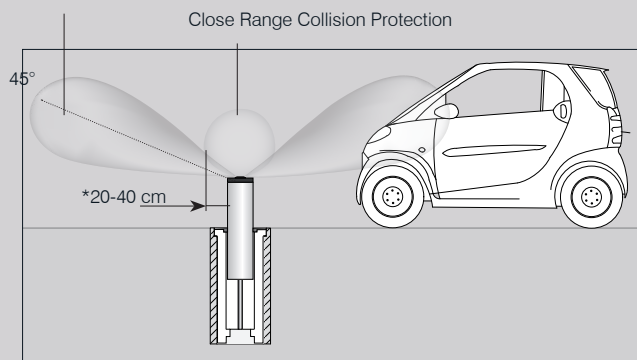
The light operates continuously when the bollard is fully extended, and it blinks as the bollard is raised and lowered.

Sollbruchstelle

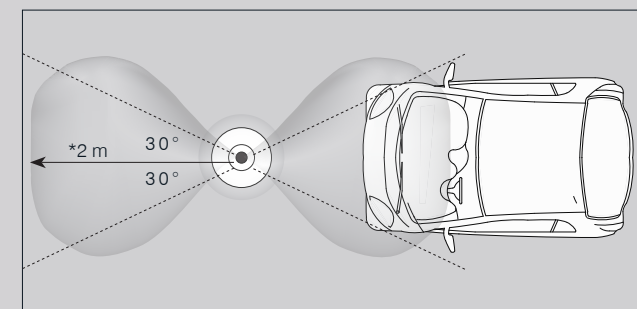
This is a distinguishing feature of the GIFAS retractable bollard. The connection between the upper and lower parts may vary in the number of screws (4 – 12 ea.) and in the quality of these screws (nylon - steel). This makes it possible to define the degree of safety or the damage caused by a collision through and on the bollard itself.

Security through Radar Monitoring

Long Range Collision Protection



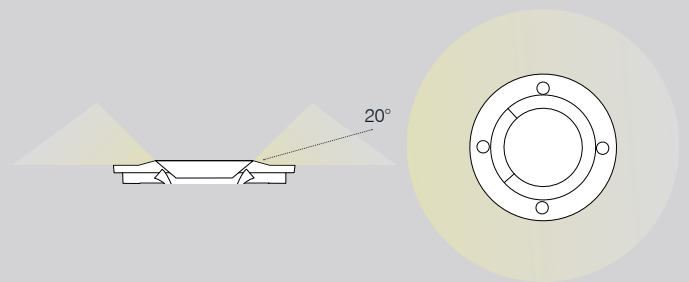
*Adjustable distance



*Adjustable distance

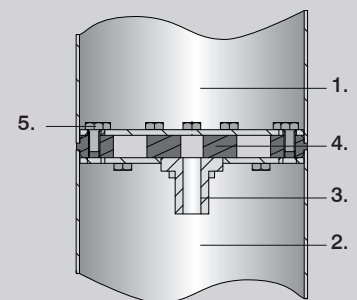
LED Warning Light

Light emission with a coverage of over 360°



Predetermined Breaking Point

- 1 Upper part
- 2 Lower part
- 3 Spindle nut
- 4 Disk
- 5 Hex screws
(Quantity of 4 - 12 ea.,
Quality: Nylon or Steel)



Completely Newly Developed Bollard System

Basic Functions

Pulses are transferred to the bollard control system (two potential-free contacts) from a master control system or corresponding switching and signaling devices. They are implemented as commands for extending and retracting the bollards.

Bollard Extension Procedure

The LED warning light starts blinking to indicate that a moving operation has been triggered. This movement is monitored by radar sensors in the cover. If an obstacle is detected within the monitoring area, the movement is immediately reversed. An impact pressure monitoring system is also active and will react to any mechanical obstruction. The process of raising the bollard can be overridden at any time by the command to lower it.

Bollard Retraction Procedure

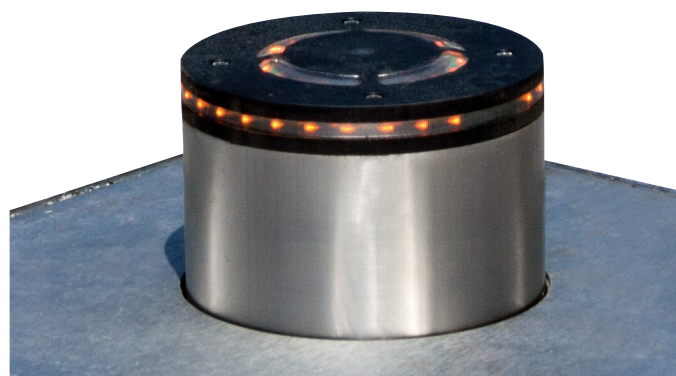
This moving operation is also indicated by the blinking of the LED warning light. This process is not monitored by radar. If the retraction process is obstructed early on, an error message is displayed on the control system.

Extended Status

In order to ensure better visibility, the LED-operation indicator is continuously lit in this position (very low power consumption). The cylinder cannot be pushed in manually because the spindle is under continuous pressure.

Retracted Status

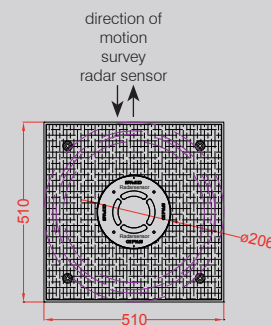
Any indication of this status is unnecessary, which is why the LED warning light is turned off.



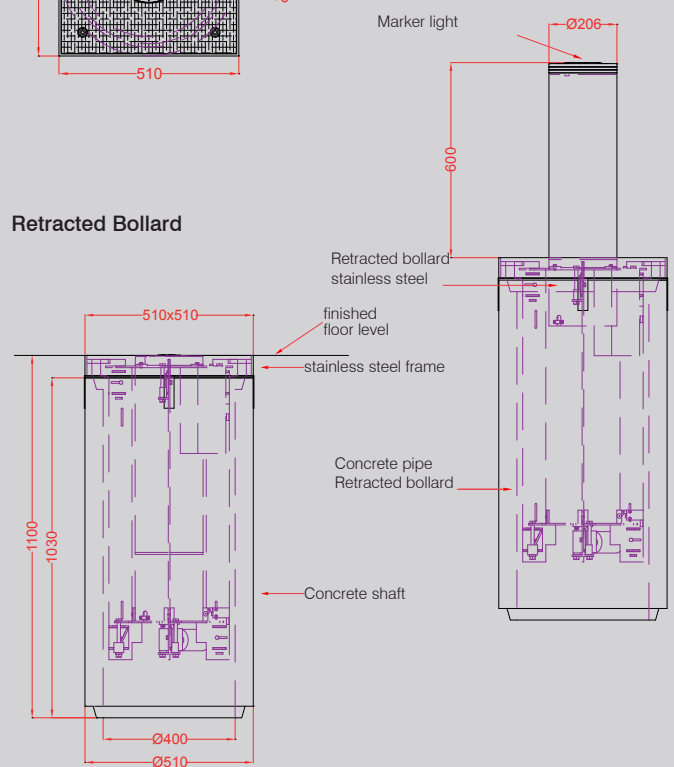
Distinguishing Features of the GIFAS Retractable Bollard System

- Required structural preparation is very simple
- Fast and easy installation
- Scope of delivery: bollard, stainless steel cover, bollard control system, connecting cable
- Open to all master monitoring and control modules

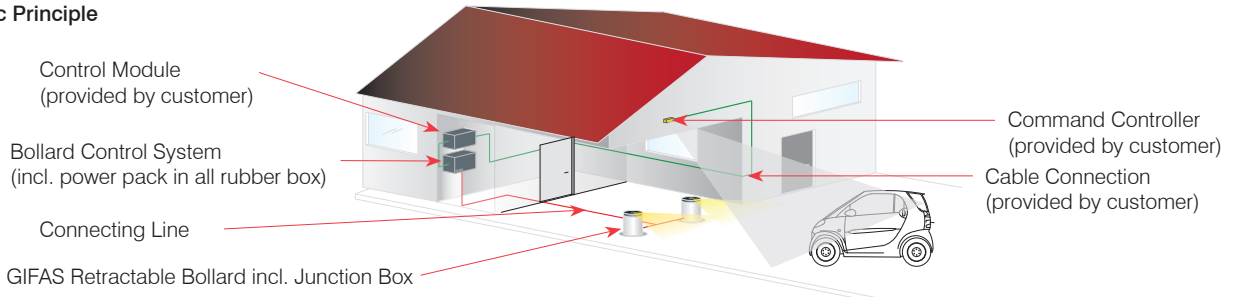
Bollard top view



Fully-Extended Bollard



The Basic Principle



Our Scope of Supply

Description	
GIFAS Retractable Bollard, incl. guide cage, junction box, concrete pipe, stainless steel cover	
Bollard control system, power pack in all rubber housing	
Plug-in connector for bollard, connected to connecting line Gifaflex 20x1mm ² black - 2 to 30m	
Caulking tools, compl. set	
Bollard blind cover, incl. locking bar	



Retractable bollard extended with constantly lit LED power indicator



Retractable bollard while retracting with flashing LED power indicator

Preparations On Site

- Step 1: Dig out an excavation pit
- Step 2: Put in a soak away pit, incl. drainage
- Step 3: Lay out an installation pipe for supply line
- Step 4: Determine the location for the bollard control system and ensure there is mains connection (230V)
- Step 5: Make sure operating parts and the installation for automation are provided.

Note for Installation:

Any groundwater must be drained through the drainage system. Place the cable connection under the frame of the bollard (measuring 1000 mm).



Montage / Einbau des Senkpollers

- Schritt 1: Verbindungsleitung einziehen
- Schritt 2: Steckkupplung anstecken
- Schritt 3: Senkpoller in Betonrohr absenken
- Schritt 4: Verstemmen des Senkpollers mit entsprechendem Werkzeug
- Schritt 5: Edelstahldeckel aufsetzen und verriegeln mit entsprechendem Werkzeug
- Schritt 6: Verbindungskabel an Pollersteuerung anschließen

Optional: Bei Bedarf Steuermodule für die Automatisierung montieren und anschließen

Specifications

Concrete pipe	DN400 mm x 1000 mm
Inst. pipe	min. diameter M25
Cast frame	special stainless steel frame and stainless steel cover for bollard

Tolerances

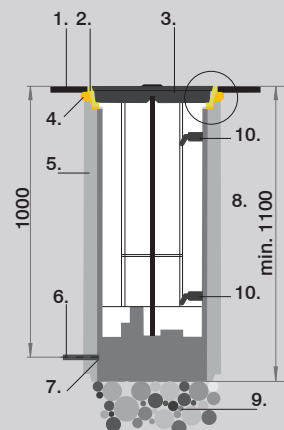
Tolerances for perpendicular concrete pipe: +/- 5 mm to 1 m depth

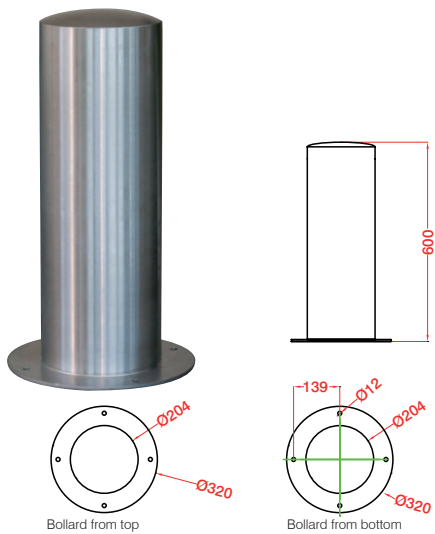
Tolerances for levelness of stainless steel frame: in the lead

Concentricity of the stainless steel frame / concrete pipe: +/- 2.5 mm

Components

- 1 Ground cover
- 2 Stainless steel frame
- 3 Stainless steel cover
- 4 Mortar
- 5 Concrete pipe
- 6 Inst. pipe for the control cable
- 7 Perforation in the concrete pipe
- 8 Soil
- 9 Soak away pit / drainage system
- 10 Position switch (Inputs "UP", "DOWN")





To assemble appropriately stainless steel screws have to be used!

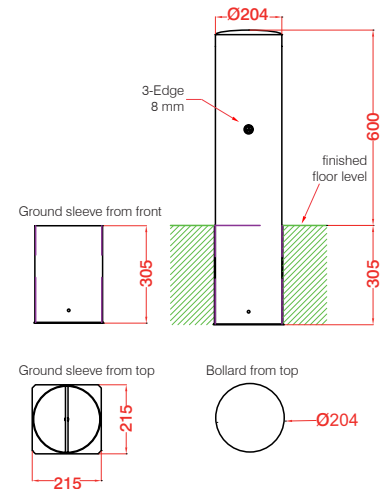
Often it is the case by larger lots and driveways that it is not necessary, respectively does not make sense, to operate over the entire width with retractable bollard, but besides some retractable bollard equip the rest of the width with fixed bollards. For these cases, we have developed two standard types of fixed bollards that can be used as required.

Fixed bollard top

This bollard, leaning in appearance to the GIFAS retractable bollard, you can close off surfaces and spaces, without great expense - structurally and financially. The fixed bollards usually used as an addition to the automatic bollards. The version fixed bollard is placed directly on the floor and screwed!

Fixed bollard technical data

- Stainless steel
- Material A2 1.4301
- Pipe diameter 204 mm (Ø)
- Wall thickness 2 mm
- Height over ground 600 mm (H)
- Surface K220 polished



ATTENTION! The gap between the bottom and sleeve bollards must be maintained.

Fixed bollard use variable

Also, the bollard „use,, variable, which in appearance is aligned to the GIFAS retractable bollard, is generally used as a supplement to automatic bollards. On the ground a ground socket (aluminum) is embedded, in which the variable bollard is inserted. By means of closure 3-edge -8 mm, it can be „secured“.



CONTACT US



GIFAS
ELECTRIC

GIFAS ELECTRIC GmbH
Strass 2
5301 Eugendorf
AUSTRIA

www.gifas.at
✉ verkauf@gifas.at
☎ +43 6225 / 7191 - 0
🖨 +43 6225 / 7191 - 561